



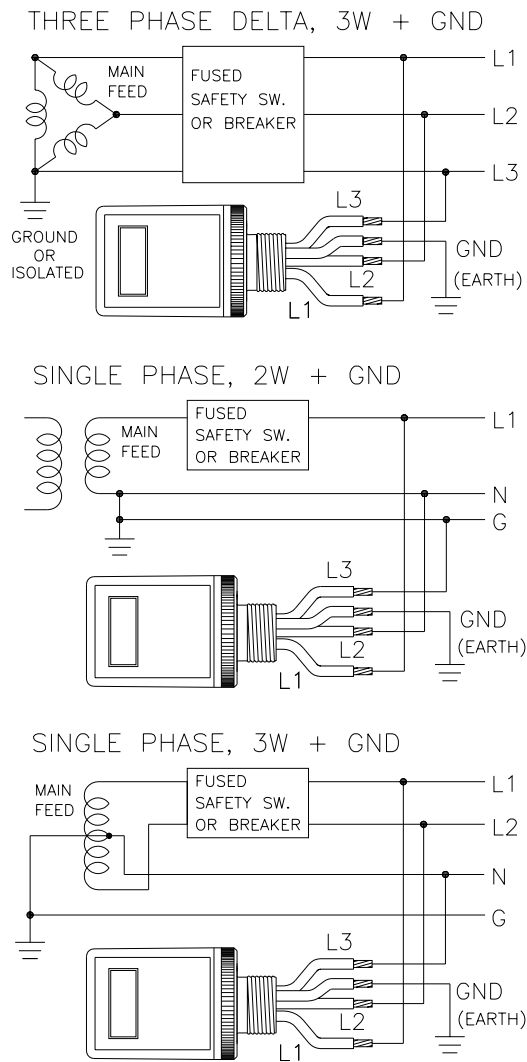
FLEX-MOUNT VOLTAGE INDICATOR APPLICATION NOTE

Flex-Mount voltage indicator is a Permanent Electrical Safety Device (PESD) that conveniently mounts onto any electrical equipment. This 3-phase voltage indicator uses redundant, longlife LEDs (flashing or non-flashing options available) to provide a visual representation of energy presence with the flexibility of being mounted virtually anywhere (alternate mounting position labels provided). In addition to the four-wire option, the Flex-Mount is the first voltage indicator from SafeSide® to utilize an optional five-wire configuration for use on wye power systems. The Flex-Mount comes fully potted with CAT III & CAT IV ratings that can be hardwired directly to the voltage source and is ideal for use in both AC & DC applications.

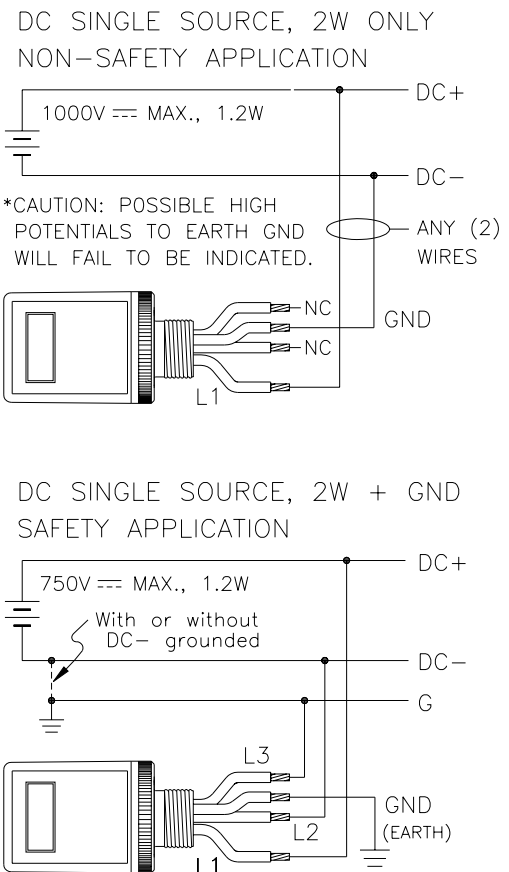
SAMPLE WIRING DETAILS

R-3D2/R-3D2-SR (4-Wire)

AC APPLICATIONS



DC APPLICATIONS



© Grace Engineered Products, Inc. All rights reserved. Specifications are subject to change with/without notice.

WARNING

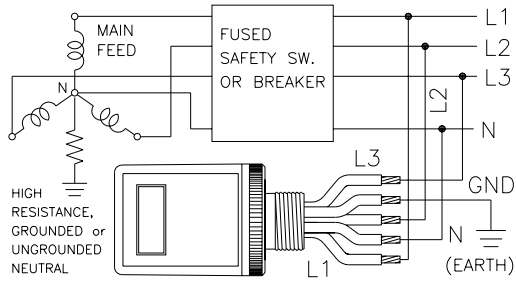
SAFETY PROCEDURES STILL APPLY: Before working on an electrical conductor, verify zero electrical energy with proper voltage testing instrument and the proper procedure as per NFPA 70E 120.1(5), 120.2 (F)(2)(f)(1-6), OSHA 1910.333(b)(2)(iv)(B).

If the equipment is used in a manner not specified by the manufacturer, the protection of the equipment may be impaired.

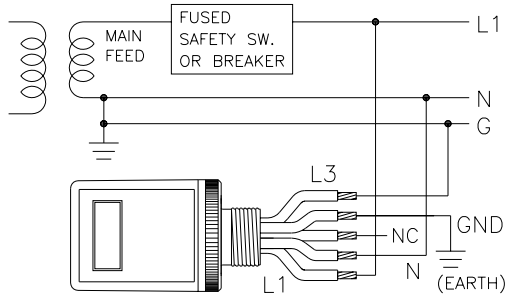
R-3D2-W5/R-3D2-SRW5 (5-Wire)

AC APPLICATIONS

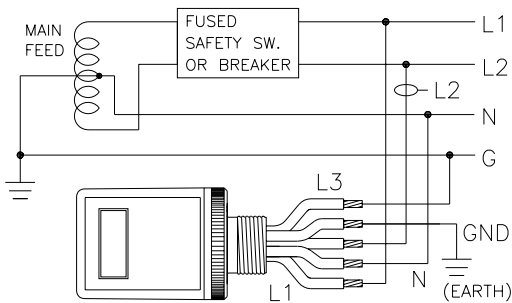
THREE PHASE WYE, 4W + GND



SINGLE PHASE, 2W + GND

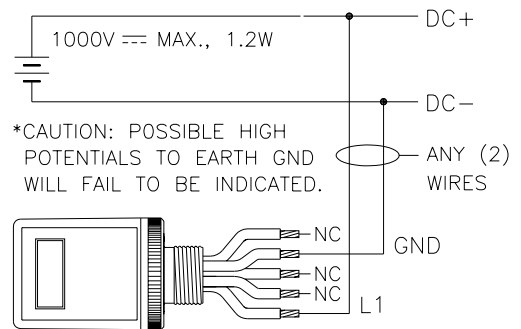


SINGLE PHASE, 3W + GND



DC APPLICATIONS

DC SINGLE SOURCE, 2W ONLY
NON-SAFETY APPLICATION



DC SINGLE SOURCE, 2W + GND
SAFETY APPLICATION

