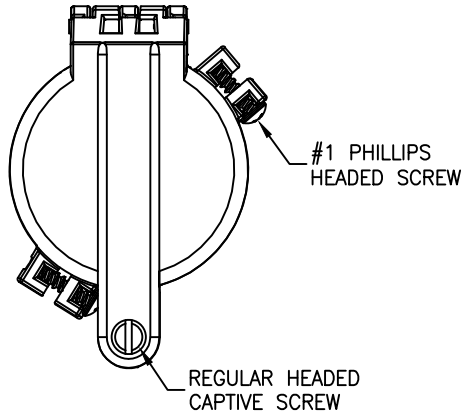
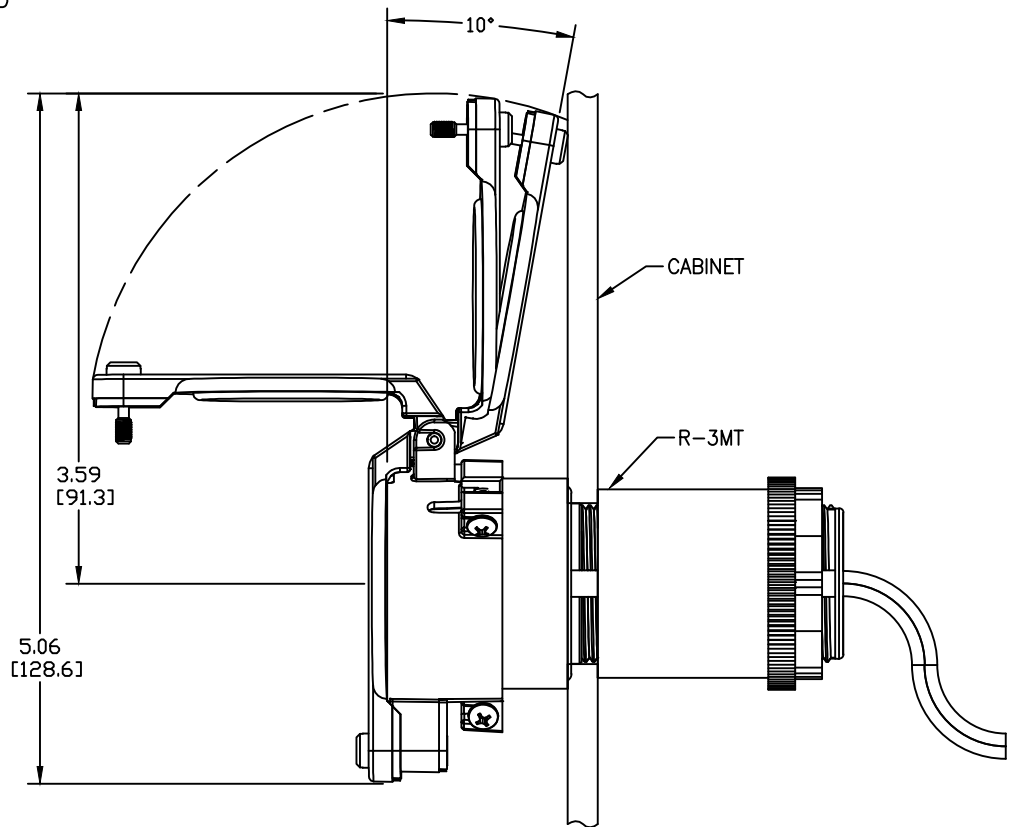
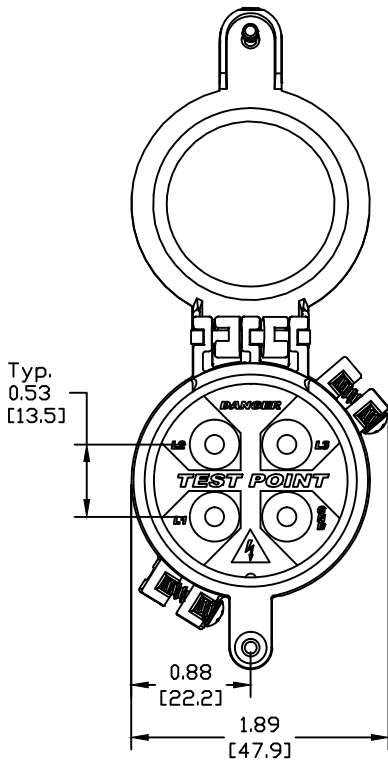
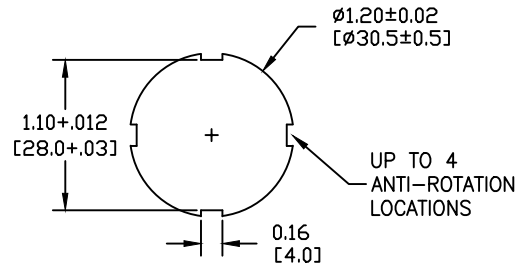


\* Part numbers reflected  
 R-3MT-KIT-F  
 R-3MT-KIT-H



PANEL KNOCKOUT



NOTE:

- 1.) REFER TO INSTALLATION INSTRUCTIONS FOR PROPER INSTALLATION.
- 2.) ALWAYS FOLLOW LOCAL WIRING CODES.
- 3.) FOR DETAILED SPECIFICATIONS SEE DATA SHEET.

Warning: Verify an electrical conductor has been de-energized using an adequately rated test equipment before working on it. Follow appropriate Energy Control (Lockout/Tagout) procedures as per OSHA Subpart S; the current edition of NFPA 70E; and the current edition of CSA Z462.

Warning: Non-Contact Voltage Detectors (NCVD) require solidly grounded power systems for proper operation. Using NCVDs and/or SafeSide® voltage portals on power systems with a floating, isolated grounds, or other ungrounded systems will result in false-negative voltage indication (voltage present, but not indicated by the NCVD). Follow the NCVDs' manufacturer operating instructions for proper procedures and operation of the NCVD.

SafeSide® is a Registered Trademark of Grace Engineered Products, Inc.  
 Property of Grace Engineered Products, Inc.