



# VOLTAGE TEST STATION INSTALLATION GUIDE

## INSTALLATION

The Voltage Test Station is to be mounted onto the flat surface of the enclosure with the same environmental rating. Installation should be performed by a qualified technician and adhere to applicable safety and regulatory codes.

### All installations:

- 1) Cut panel opening and mount Voltage Test Station assembly to enclosure with gasket.
- 2) Connect low voltage interface wiring according to documentation provided with R-3MT and R-3W Series Installation Sheets.

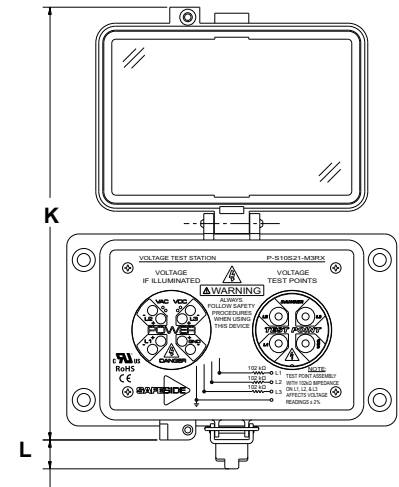
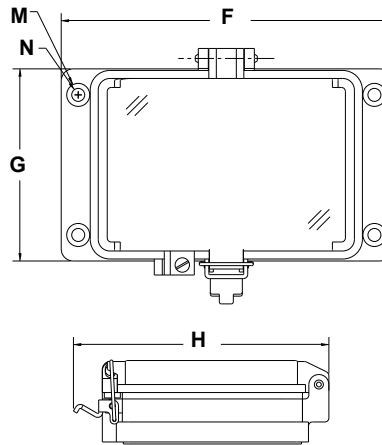
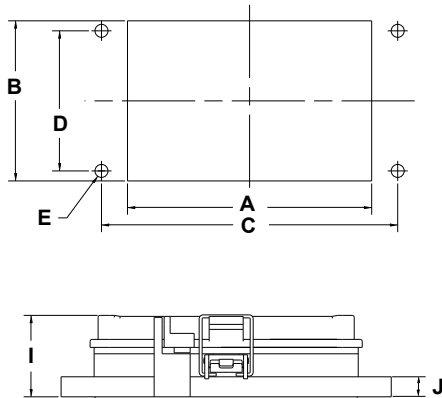
## MOUNTING DIMENSIONS INCHES (MM)

UL TYPE	WEIGHT (OZ)	A	B	C	D	EØ
M2, M3, M4	13.2	4.80 ± .010 (122.0 ± .2)	3.15 ± .010 (80.0 ± .2)	5.83 ± .004 (148.0 ± .1)	2.76 ± .004 (70.0 ± .1)	.26 ± .010 (6.5 ± .2)



## OVERALL DIMENSIONS INCHES (MM)

UL TYPE	F	G	H	I	J	K	L	MØ	NØ
M2, M3, M4	6.50 (165.0)	3.78 (96.0)	5.02 (127.6)	1.60 (40.7)	0.43 (11.0)	8.52 (216.4)	.57 (14.4)	.45 ± 0.20 (11.5) ± 5.20	.26 ± .004 (6.5 ± .1)



## VTS OPERATION SAMPLE PROCEDURE

- 1) Verify the test instrument is calibrated and properly rated for application.
- 2) Verify the test instrument to a known voltage source.
- 3) Verify there is voltage illumination on the voltage indicator.
- 4) Open the housing and insert the test instrument probes into the test point and measure the voltage between phase to phase and phase to ground to verify voltage presence.
- 5) Open Isolator.
- 6) Verify there is no LED illumination on the voltage indicator.
- 7) Re-insert the Test Instrument probes into the test point and measure the voltage between phase to phase and phase to ground to verify voltage absence.

- 8) Re-verify test Instrument to a known voltage source.
  - 9) Upon completion of work, close the housing on the test point, close isolator, and verify proper operation of voltage indicator.
- Note: The voltage accuracy of the test point is - 2% and test instrument will read small mV due to the high impedance circuit in the test point.*

## MECHANICAL SPECIFICATIONS

Housing: Cast aluminum base  
 Latch: Type 304 Stainless Steel (1CR18NI19)  
 Cover: Polycarbonate, uV rated, V-O Flame rated  
 Insert Material: Acrylic UL94HB

**Warning:** Verify an electrical conductor has been de-energized using an adequately rated test instrument before working on it. Follow appropriate Energy Control (Lockout/Tagout) procedures as per OSHA Subpart S. © Grace Engineered Products, Inc. All rights reserved. Specifications are subject to change with/without notice.

VTS-IG-EN 1607

# EU DECLARATION OF CONFORMITY

The Object of the declaration is in conformity with relevant Union harmonization Legislation.

**MANUFACTURER:** Grace Engineered Products  
1515 Kimberly Road  
Davenport, IA, 52807 U.S.A.  
Phone: 1-800-280-9517  
URL: www.graceport.com

**DESCRIPTION:** Industrial Configurable Voltage Test Station Port

**MODEL NUMBER:** P-S10S21-M2RX\*, P-S10S21-M3RX\*, P-S10S21-M4RX\*  
P-S11S21-M2RX\*, P-S11S21-M3RX\*, P-S11S21-M4RX\*  
P-S12S21-M2RX\*, P-S12S21-M3RX\*, P-S12S21-M4RX\*  
P-S13S21-M2RX\*, P-S13S21-M3RX\*, P-S13S21-M4RX\*  
\*Maybe followed by V

**REPORT #:** INGR0516-A-00

**DOCUMENT #:** SS0002-0616-A-CE

**DIRECTIVES:** Low Voltage Directive 2014/35/EU  
RoHS2 Directive 2014/35/EU

**STANDARDS:** **EN 61010-1:2010** – Safety requirements for electrical equipment for measurement, control and laboratory use – Part 1: General requirements  
**EN 50581:2012** – Technical documentation for the assessment of electrical and electronic products with respect to the restriction of hazardous substances

Grace Engineered Products, Inc. declares under its sole responsibility that the configurable Voltage Test Station port, models referenced individually above, is in conformity with the Low Voltage Directive 2014/35/EN and RoHS2 Directive 2014/35/EU.

Authorized by: Troy Ryner Date: 6 / 15 / 16

Name: \_\_\_\_\_ Title: Technical Sales

Location: Davenport, Iowa, U.S.A.