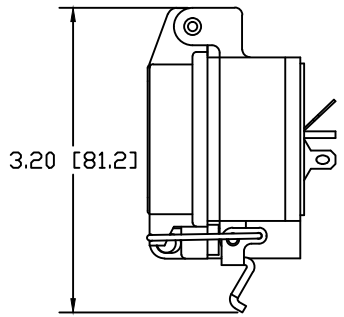
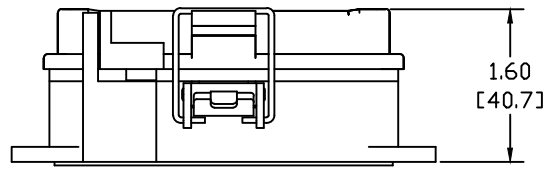
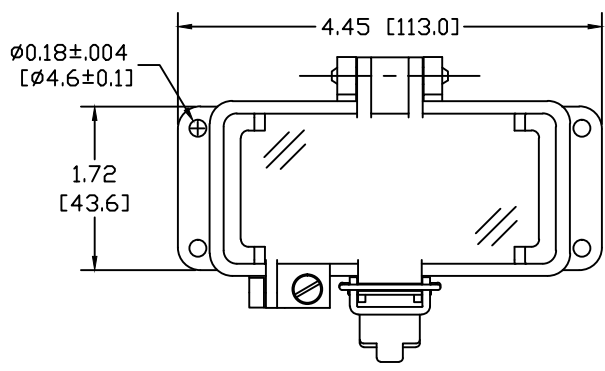
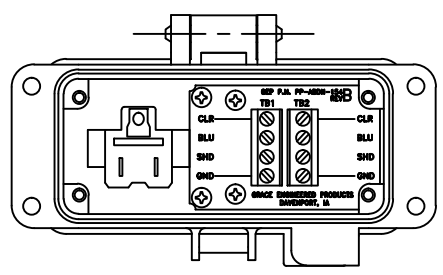
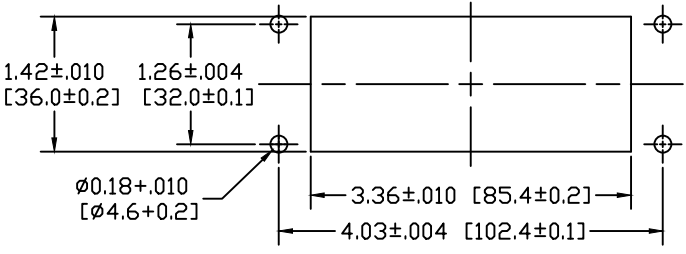


PANEL CUTOUT



NOTE:
 1.) HOUSING INSERTS COMPONENT LOCATIONS ARE APPROXIMATE.
 2.) HOUSINGS ARE UL RECOGNIZED TYPE 4 OTHER ENVIRONMENTAL RATINGS MAY APPLY.
 3.) FINAL ASSEMBLIES: UL RECOGNIZED, CSA, AND CE MAY APPLY CONSULT FACTORY.
 4.) COVERS: CLEAR, UL V0 FLAME RATING, & UV RATED.
 GracePort® is a Registered Trademark of Grace Engineered Products, Inc.
 Property of Grace Engineered Products, Inc.