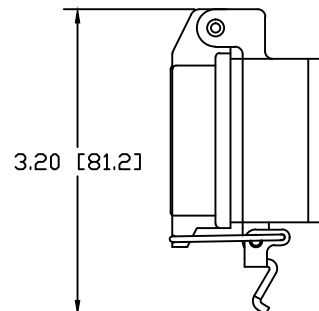
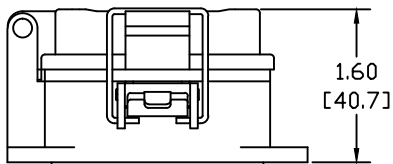
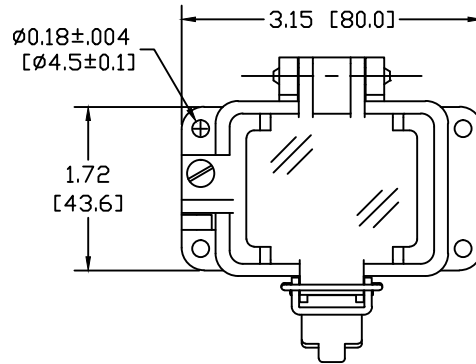
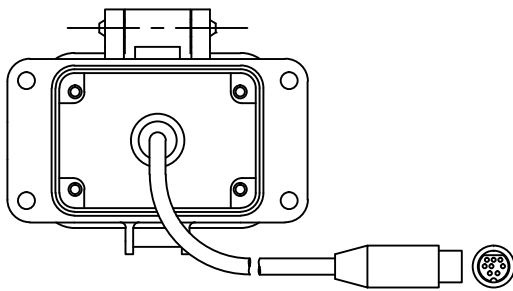
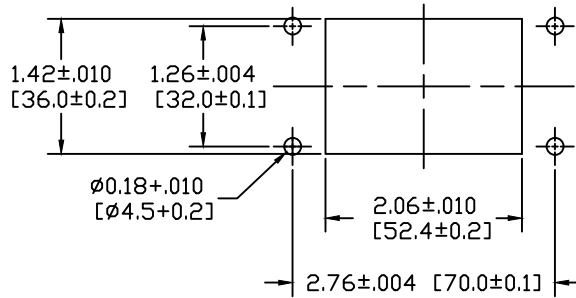


PANEL CUTOUT



- NOTE:
- 1.) HOUSING INSERTS COMPONENT LOCATIONS ARE APPROXIMATE.
 - 2.) HOUSINGS ARE UL RECOGNIZED TYPE 4 OTHER ENVIRONMENTAL RATINGS MAY APPLY.
 - 3.) FINAL ASSEMBLIES: UL RECOGNIZED, CSA, AND CE MAY APPLY CONSULT FACTORY.
 - 4.) COVERS: CLEAR, UL V0 FLAME RATING, & UV RATED.

GracePort(R) is a Registered Trademark of Grace Engineered Products, Inc.
Property of Grace Engineered Products, Inc.



GRACE
ENGINEERED
PRODUCTS, INC.
WWW.GRACEPORT.COM

Phone (563) 386-9596
Toll-free (800) 280-9517
Fax (563) 386-9639

5001 Tremont Avenue
Davenport, IA 52807
www.graceport.com