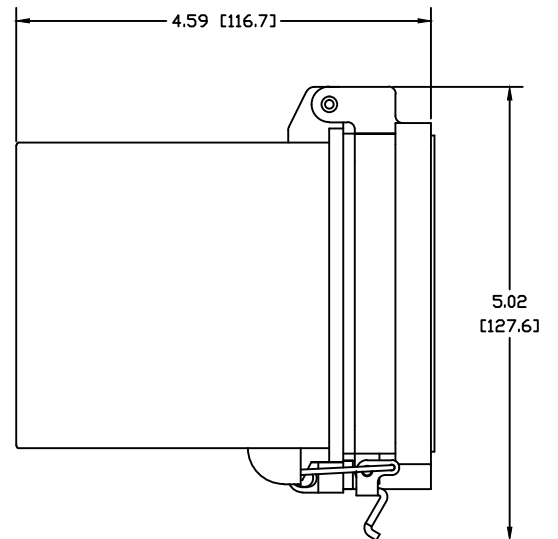
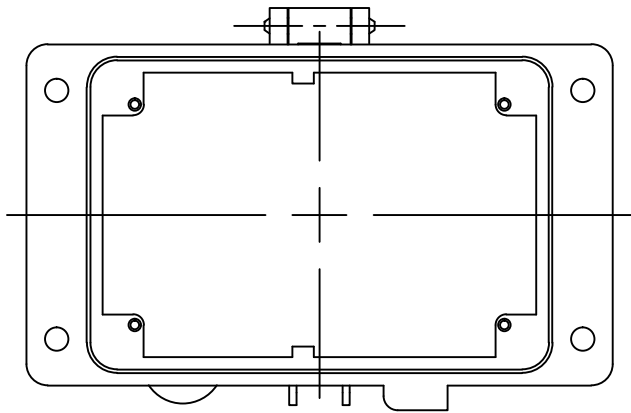
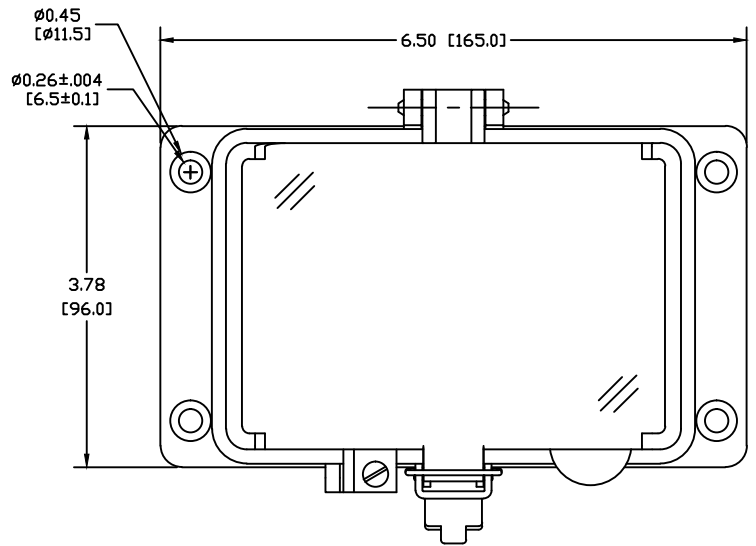
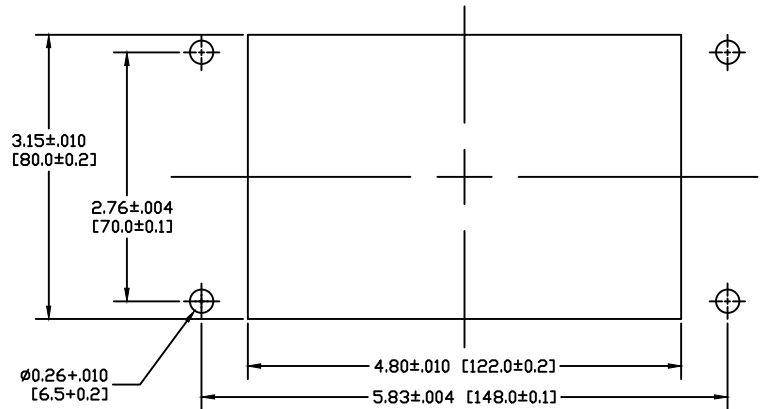
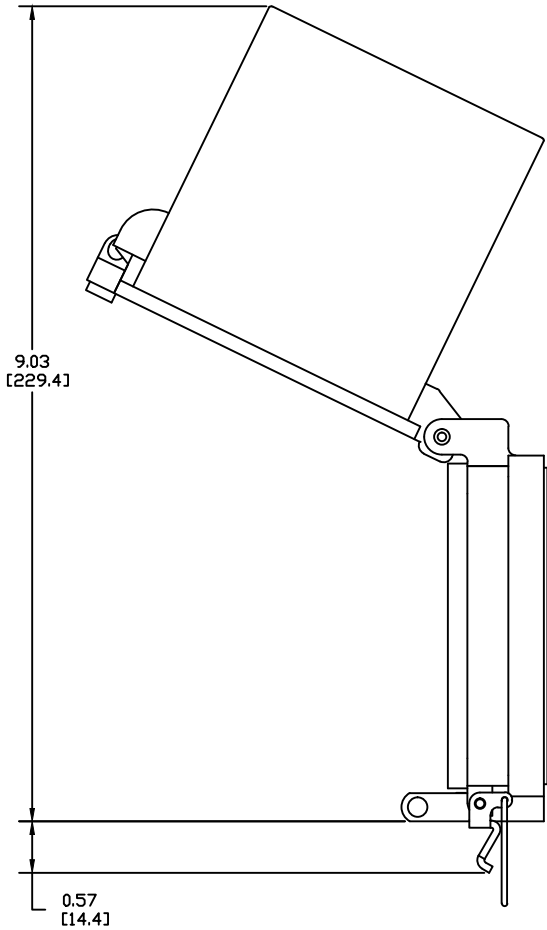


PANEL CUTOUT



NOTE:

- 1.) HOUSING INSERTS COMPONENT LOCATIONS ARE APPROXIMATE.
- 2.) HOUSINGS ARE UL RECOGNIZED TYPE 3R OTHER ENVIRONMENTAL RATINGS MAY APPLY.
- 3.) FINAL ASSEMBLIES: UL RECOGNIZED, CSA, AND CE MAY APPLY CONSULT FACTORY.
- 4.) COVERS: CLEAR, UL VO FLAME RATING, & UV RATED.

GracePort® is a Registered Trademark of Grace Engineered Products, Inc.  
Property of Grace Engineered Products, Inc.

