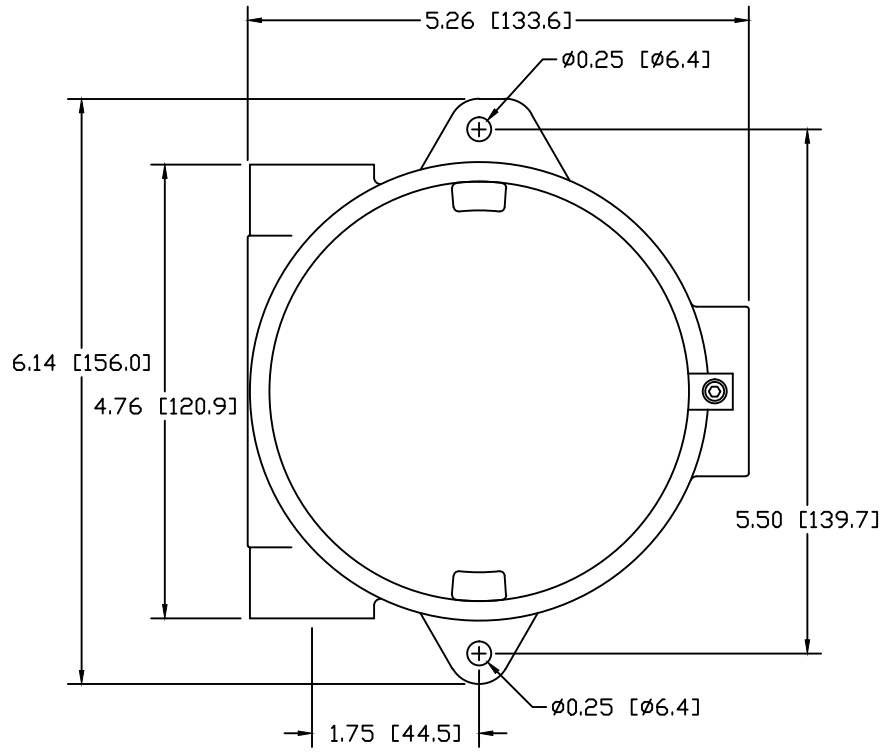
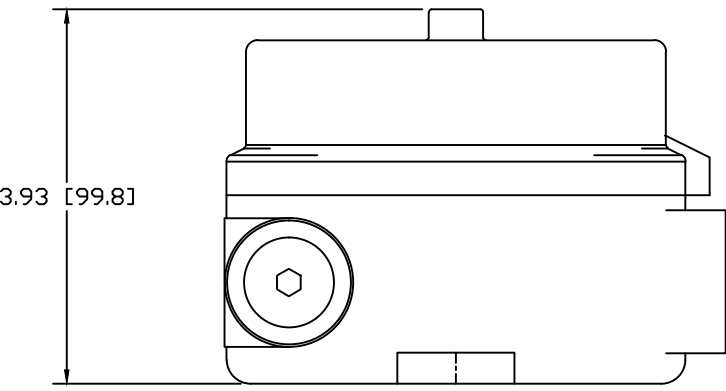
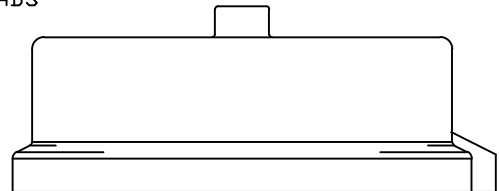
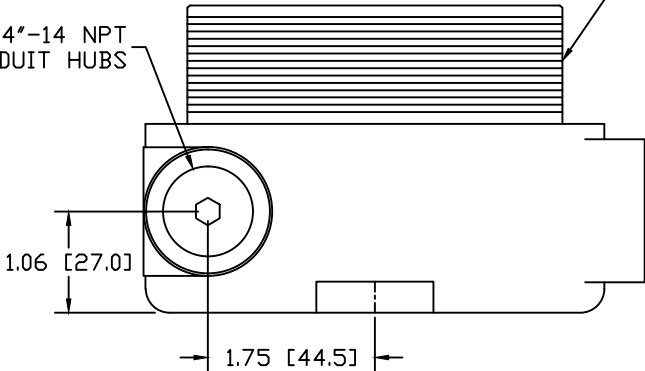


M100#2 66/6G 9150 METRIC  
 BOX COVER THREADS

(2) 3/4"-14 NPT  
 CONDUIT HUBS



NOTE:  
 1.) HOUSING INSERTS COMPONENT LOCATIONS ARE APPROXIMATE.  
 2.) HOUSINGS ARE KILLARK HKB-B  
 GracePort(R) is a Registered Trademark of Grace Engineered Products, Inc.  
 Property of Grace Engineered Products, Inc.