

# GracePort® E5 Unmanaged Industrial Ethernet Switch

## Keep Panel Doors Closed...Save Panel Space

The GracePort® Unmanaged Ethernet Switch gives you more reasons to keep your control panel door closed and limit exposure to voltage. Under NFPA 70E, opening control panel doors is a time consuming process. Combining safety, productivity, and cost savings into one thru-door package offer you these benefits:

- ▶ Interior status LED's (port P2 - P5) duplicated on front for thru-door diagnostics.
- ▶ Program multiple devices safely from outside the panel.
- ▶ Reduced cost due to panel space savings.
- ▶ Convenient external RESET and Power LED indication.
- ▶ Required external power supply: 24VDC only
- ▶ Available in UL Type 12/4/4X configurations to maintain enclosure rating.
- ▶ Designed to fit the Inside-Outlet® GFCI for NFPA 79 Compliance.
- ▶ Provisions available for other outlets types and interfaces to meet all your needs.
- ▶ Robust design: (0-60°C) with an MTBF 938,570 hours.

### Unlimited Combos Available!

#### Some Common Configurations:

#### Part Numbers

<b>UL Type 4 (IP-65)</b>	
with GFCI* and Type A(F) USB	P-E5P11-M3RF0
with GFCI* and 15 Amp CB	P-E5-M3RF15
Ethernet Switch only	P-E5-M3RX
<b>UL Type 4X (IP-65)</b>	
with GFCI* and Type A(F) USB	P-E5P11-M2RF0
with GFCI* and 15 Amp CB	P-E5-M2RF15
Ethernet Switch only	P-E5-M2RX
<b>UL Type 12</b>	
with GFCI* and Type A(F) USB	P-E5P11-M4RF0
with GFCI* and 15 Amp CB	P-E5-M4RF15
Ethernet Switch only	P-E5-M4RX

\*All GracePorts® ordered with a GFCI are automatically upgraded to our patent Inside-Outlet® free of charge!

Unmanaged Ethernet switches provide simple communication between Ethernet devices. With diagnostics limited to the LED's, you must be able to see the LED's to diagnose communication problems. Our dual 'inside-out' LED design allows you to see the status of each port from the inside and outside the panel.

### FRONT



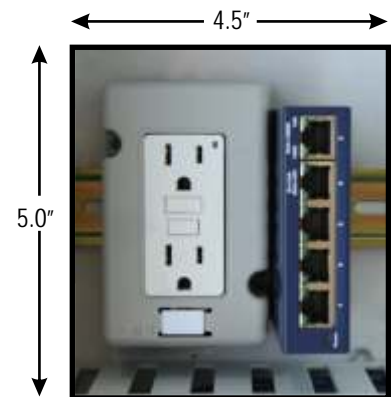
P-E5P11-M3RF0: Ethernet Switch with Port P1 on front, Type A USB, and our patented Inside-Outlet® in a UL Type 4 Enclosure.

### REAR



P-E5-M3RF3: Interior View Ports P2 - P5, Inside-Outlet®, 3A Circuit Breaker in a UL Type 4 Enclosure.

### PANEL SPACE SAVINGS



#### SPECIFICATIONS: ELECTRICAL OUTLET

Low voltage (data), limited to 30 VDC  
High voltage supply (for computer use only)  
120 VAC, 15A (UL), 5A (CSA)  
230-240 VAC, 16A (CE only)

#### SPECIFICATIONS: HOUSING

Housing: Cast aluminum base  
Latch: Type 304 Stainless Steel (1CR18NI19)  
Cover: Polycarbonate, UV rated, V-O Flame rated  
Gasket: Thermoplastic elastomer  
Insert Material: Acrylic UL94HB

#### APPROVALS:

UL RECOGNIZED: E207344 (Outdoor Use)  
CE: EN61010/EN60950



© 2009 Grace Engineered Products, Inc. Data:E5:2/2009  
GracePort® is a registered Trademark of Grace Engineered Products, Inc

5001 Tremont Avenue  
Davenport, IA 52807  
(800) 280-9517 Fax: (563) 386-9639

[www.graceport.com](http://www.graceport.com)

### Physical Ports

10/100 Base-T(X) Ports in RJ45 Auto MDI/MDIX (5) Total, 'P1' located on front, "P2-P5" on rear

### Technology

Ethernet Standards (Layer 2)	IEEE 802.3 for 10BaseT, IEEE 802.3u for 100BaseT(X), IEEE 802.3x for Flow control
MAC Table	1024 MAC addresses
Processing	Store-and-Forward
Maximum Throughput Rate	148,800pps (100Mbps) 148,80pps (10Mbps)

### LED indicators

Power indicator:	Green - Power LED x 1
10/100TX RJ45 port indicator:	Front: Green for port Link/Act. Yellow for Duplex/Collision.
Rear Ports (P2 - P5):	Identical LED indicators on RJ45 jack.

### Power

Input power:	24VDC (9VDC min./30VDC max.) input on 3-pin terminal block.
Power consumption (Typical):	2.5 Watts max
Overload current protection:	Yes
Reverse polarity protection:	Yes

### Physical Characteristic

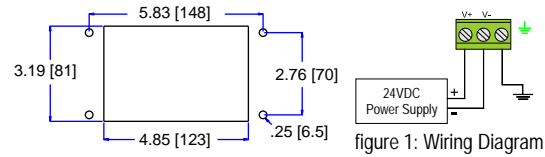
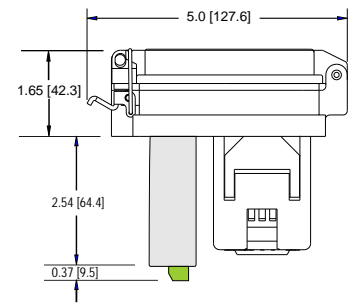
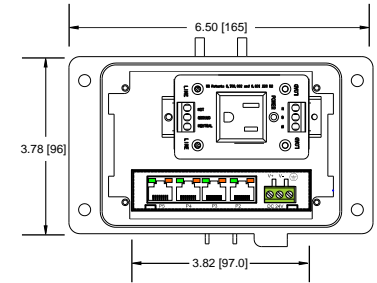
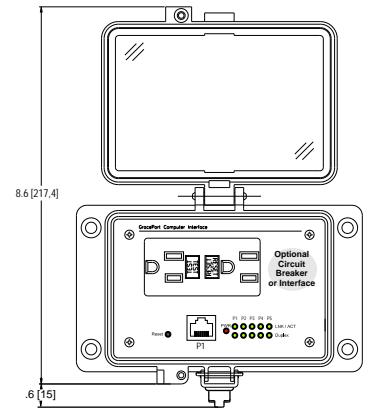
Dimensions in GracePort®	Per figure 1
Weight (approx. with GFCI outlet) :	1.85 lbs / .84 Kg

### Environmental

Storage Temperature:	-40 to 85°C (-40 to 185°F)
Operating Temperature;	-10 to 60°C (14 to 140°F)
Operating Humidity:	10% to 90% Non-condensing

### Regulatory approvals

EMI/EMS:	FCC Part 15, CISPR (EN55022) class B, EN6100-3-2, EN61000-4-2 (ESD), EN61000-4-3 (RS), EN6100-3-3, EN61000-4-4 (EFT), EN61000-4-5 (Surge), EN55024, EN61000-4-6 (CS), EN61000-4-8, EN61000-4-11
Shock:	IEC60068-2-27
Drop Test:	ISTA-1A
Vibration:	IEC60068-2-6
Safety:	En60950, UL60950-1



### Frequently Asked Questions:

#### Why doesn't my Ethernet Switch respond after I turned on the power?

The green power LED should illuminate after the power is properly connected. If the green LED is not ON, check the voltage of the power supply to issue that the input voltage range is between 9V-30V.

#### I can't make an Ethernet connection?

Verify that the ethernet cable is plugged in correctly. If so, try a different Ethernet cable.

#### What can I do if the Ethernet switch does not function properly?

Press the reset button on the front of the GracePort® Ethernet switch to restart it.

#### What type of Ethernet cable do I need?

This switch supports auto MDI/MDI-X operation, so the Ethernet switch should function properly no matter the Ethernet cable is Straight-Through or Cross-Over.

*Warranty: Grace Engineered Products Inc. ("GEP") warrants for a period of (18) months from the date on the invoice or (12) months from installation, that its products will be merchantable quality free from defects in material, workmanship or design each as determined, by the date of shipment by GEP, by generally recognized, applicable practices, procedures in the industry. GEP will not be liable for customer modifications or designs made to the standard products. Repair and replacement hardware is warranted for 6 months from date of shipment or the remainder of the original warranty term, whichever is longer.*

### Instructions:

The E5 has no serviceable parts inside and the product should be returned to GEP for service. P1, P2, P4, and P5 are for functions like "LAN", "PROGRAM INTERFACE", "PLC", etc.

1. Unpack the GracePort® with the E5 Ethernet Switch. Mount assembly with gasket to the enclosure.
2. Remove orange warning label and connect 24VDC nominal (9-30VDC range) to the green terminal block on the rear of the unit as per above wiring diagram.
3. Connect ethernet device cable(s) to the E5 ethernet switch as per IEEE 802.3 applicable standards.
4. Apply Isolated Limited Voltage source to the unit. Verify that the power LED in the front is illuminated. Verify that the LINK/ACT and DUPLEX status LED's properly indicate that the connected device(s) are communicating with the E5 Ethernet switch as per above.

