

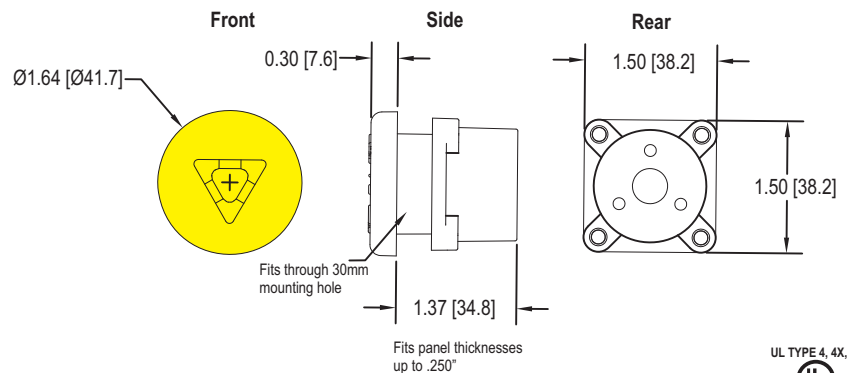
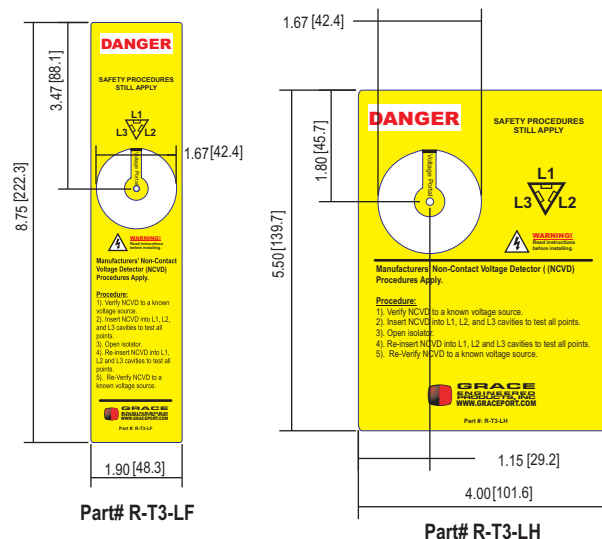
3-Phase Voltage Portal Installation Sheet



⚠ BE SURE POWER IS SHUT OFF PRIOR TO INSTALLING INSTALLATION

The SafeSide™ R-T3 is designed to be installed into a securely grounded metallic electrical enclosure within six feet of a voltage source as per state and local codes.

- 1.) For nameplate installations, remove the adhesive backing, and affix the nameplate to the enclosure. Use the nameplate locator tab to center the punch. If the nameplate has holes at the corners you may use a #4 self-tapping screw or type U drive screw to help secure the nameplate. Once complete, break off the locator tab and install R-T3 as listed.
- 2.) After the location has been determined, punch a 30mm hole through the enclosure.
- 3.) Remove the three screws that hold the back half to the front half with a #1 Phillips screw driver. Separate the front and the back completely by pulling the wires out through the back. (Do not remove the single screw that is on the inside of the R-T3.)
- 4.) From the front of the cabinet insert the three wires through the 30mm mounting hole on the cabinet.
- 5.) From the inside of the enclosure put the three wires through the back half of the R-T3.
- 6.) Before re-assembling the front half and the back half, make sure the keyed sides of the front and the back are aligned by lightly holding the front and back together. Rotate the front or back till they drop together, and replace the three Phillips screws on back side.
- 7.) Rotate front of the R-T3 until the L1 is to the upward side.
- 8.) While holding the R-T3 in place equally tighten the four corner screws with a #2 phillips screwdriver until the gasket on the front has compressed approximately 80%. The R-T3 is suitable for mounting on the flat surface of a type 4, 4X and/or 12 enclosures.



UL TYPE 4, 4X, 12
C **UL** US LISTED 3JZC
RoHS

Catalog Number
R-T3

3-Phase Voltage Portal



Grace Engineered Products' SafeSide™ R-T3, a non-contact voltage portal, has three phases combined into one single unit. Operators now have a single test location for all three phases, which takes up less space on the electrical panel and reduces installation time.

The SafeSide™ R-T3 also reduces arc flash risk while increasing electrical safety and productivity by providing electricians and maintenance personnel a single no-touch voltage portal on the outside of grounded metallic electrical enclosures. The SafeSide™ R-T3 interface, installed on an electrical panel, allows electricians and maintenance personnel to use a NCVD pen to check line voltage before and after they open the main disconnect. The ability to pre-verify electrical isolation prior to opening an electrical panel puts an additional safety barrier between people and hazardous voltage.

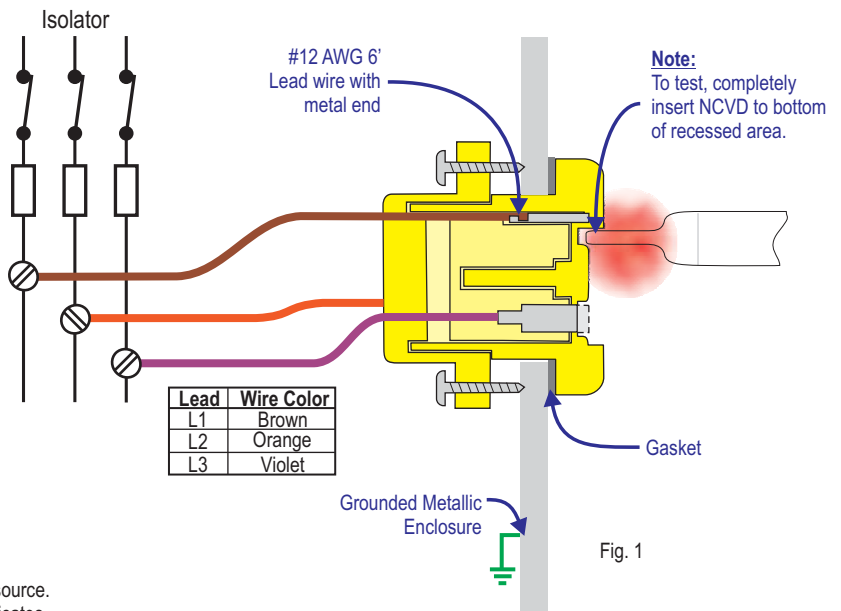
FEATURES

- ▶ 3-phases combined into one unit
- ▶ Integral 6' #12 AWG lead wire
- ▶ Installs in a 30mm hole for easy installation
- ▶ Rugged polycarbonate construction for safety
- ▶ UV outdoor rated so you can mount it anywhere
- ▶ UL Type 4, 4X, 12 Rated

Part #	Description
R-T3	Three-phase Voltage Portal installs in a 30mm hole
R-T3-LF	Flange mount adhesive label, 8.75" x1.90"
R-T3-LH	Door/Side mount adhesive label, 5.50" x4.00"

Operating instructions:

- 1.) Verify proper operation of Non-Contact Voltage Detector (NCVD) to a known source. With the Isolator closed and the electrical panel powered, verify the NCVD indicates voltage when completely inserted into the bottom of the recessed area of the R-T3 interface (figure 1). If the NCVD does not indicate voltage, then proceed with Lock-out/Tag-out (LOTO) procedure as per NFPA 70E Annex G or other approved procedure.
- 2.) Open the isolator, insert the NCVD individually into the recessed area of the installed R-T3 interface. If the phases have been isolated, then the NCVD should not sense voltage on the R-T3 interface and the panel has been pre-verified. From here on follow approved electrical LOTO procedure.



Voltage Rating: 1000V
Temperature Rating: -20 to 60°C
Altitude: up to 2000M
Pollution: Degree 2

Flame Rating: V-2
UL Listed Device
UL Type 4, 4X and 12 Ratings
Material: UV Rated Polycarbonate

UL E311256



RoHS

UL TYPE 4, 4X, 12
LISTED
3JZC



GRACE
ENGINEERED
PRODUCTS, INC
www.GracePort.com

5001 Tremont Avenue
Davenport, IA 52807
(800) 280-9517 Fax: (563) 386-9639