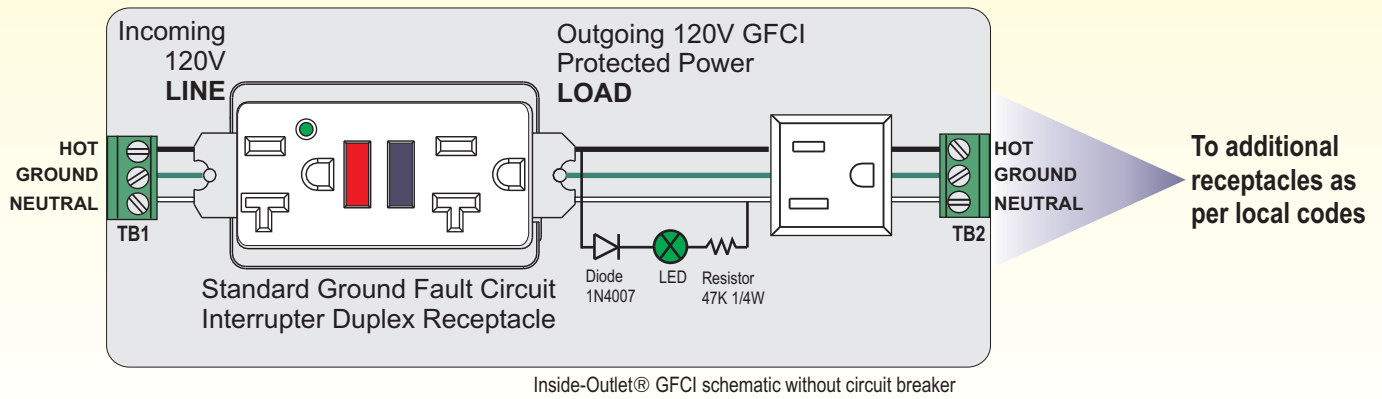
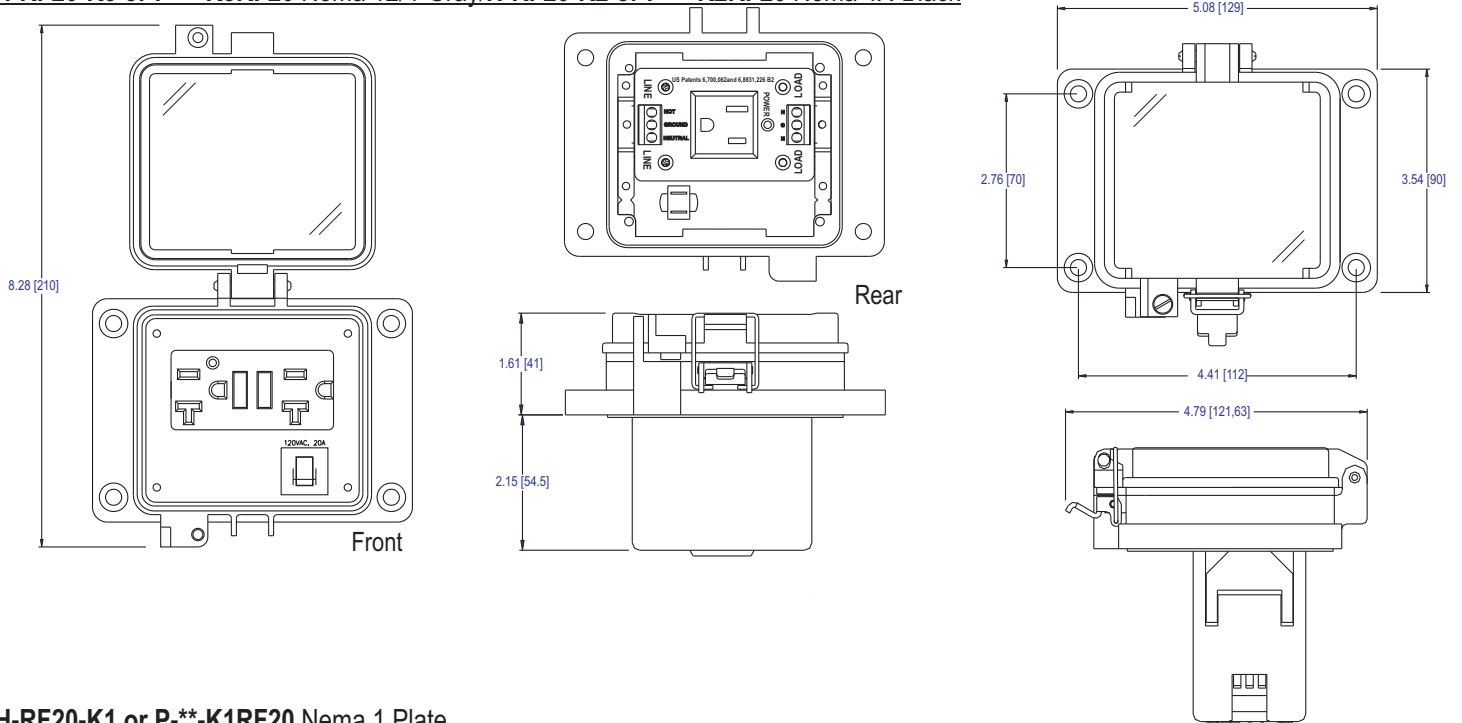


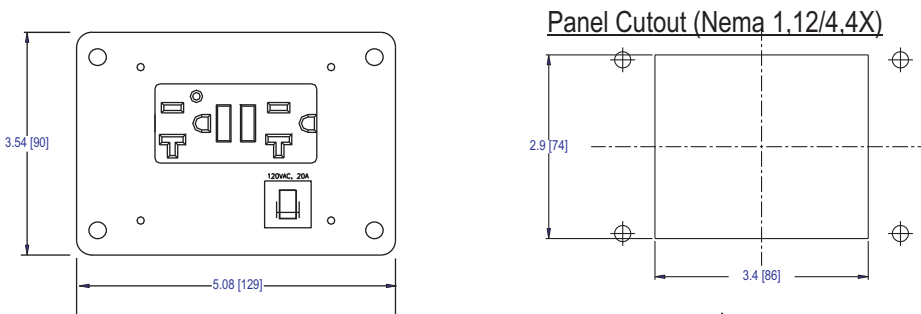
Inside-Outlet® Installation Instructions



H-RF20-K3 or P-**-K3RF20 Nema 12/4-Gray/H-RF20-K2 or P-**-K2RF20 Nema 4X-Black



H-RF20-K1 or P-**-K1RF20 Nema 1 Plate



⚠️ INSTALLATION

Inside-Outlet® receptacles are intended to be mounted in or on an enclosure product. Installation should be performed by a qualified electrician and adhere to applicable regulatory codes. These devices are for mounting on the flat surface of enclosures having the same type environmental ratings.

- 1) Cut panel opening and mount Inside-Outlet® receptacles to enclosure with gasket.
- 2) Connect input power to LINE terminal (TB1) as per local codes.
- 3) Additional receptacles may be wired as per local codes to the LOAD terminals (TB2).

SPECIFICATIONS: MECHANICAL

Housing: Cast aluminum base
 Latch: Type 304 Stainless Steel (1CR18NI19)
 Clear Housing Cover: Polycarbonate, V-O & UV rating
 Inside-Outlet® Gray Shroud: V-O Flame Rating
 Gasket: Thermoplastic elastomer
 Insert Material: Acrylic UL94HB

APPROVALS

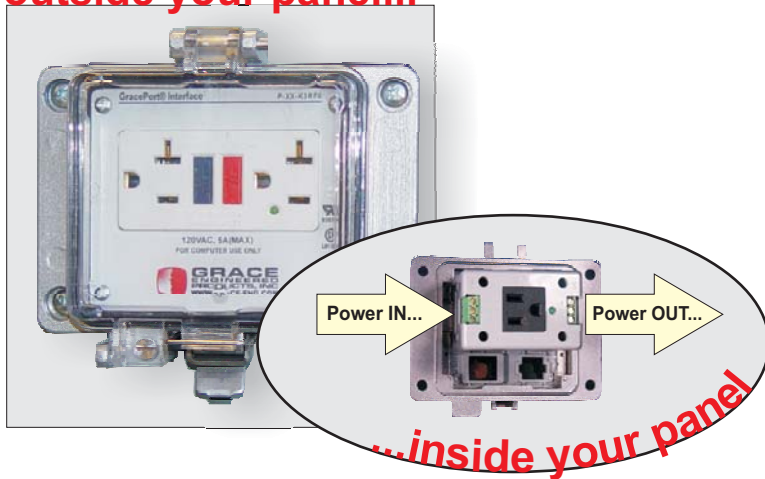
UL: Recognized: E207344 Type 4 (Gray), 4X(Black), IP-65 (Outdoor Use)
 CSA: LR110845*
 *5A(MAX) for computer use only.



P-Series and H-Series

Inside-Outlet® GFCI Utility Receptacle

outside your panel...



Grace Engineered Products' Inside-Outlet® is unique because it has three GFCI-protected receptacles - two outside and one inside the panel. Additionally, this GFCI receptacle's purpose is to provide companies a trouble-free step toward complying with NFPA 79, which states all externally-mounted utility receptacles must be GFCI protected and tested every 30 days. Accomplishing this directive is simple and time efficient with Inside-Outlet®. The non-GFCI outlets inside a panel can be wired through the Inside-Outlet®, which is then externally mounted on the panel door. Now testing is easy! Just walk up to the door, flip the protective cover, and push the button.

FEATURES

- ▶ **TEST/RESET** Safely Outside the Panel
- ▶ Finger Safe
- ▶ Outgoing Terminals for GFCI Protected Power
- ▶ Maintains Enclosure Rating
- ▶ UL Type 1, 3R, 4, 4X or 12
- ▶ Stand Alone Outlet or with a GracePort®

Inside-Outlet® GFCI Outlets

Part Numbers

UL Type 4	H-RF0-K3
with 3A CB	H-RF3-K3
with 15A CB**	H-RF15-K3
with 20A CB**	H-RF20-K3
with Class CC Fuse Holder*,**	H-RF030-M3-H
UL Type 4X	H-RF0-K2
with 3A CB	H-RF3-K2
with 15A CB**	H-RF15-K2
with 20A CB**	H-RF20-K2
with Class CC Fuse Holder*,**	H-RF030-M2-H
UL Type 12	H-RF0-K4
with 3A CB	H-RF3-K4
with 15A CB**	H-RF15-K4
with 20A CB**	H-RF20-K4
with Class CC Fuse Holder*,**	H-RF030-M4-H

*For higher interrupting rating, class CC Fuseholder (30A) included requires larger "M" sized housing. Fuse by customer.

**Exceeds 5A, therefore does not meet CSA.

NFPA 79: GFCI's....The Control Panel Utility Receptacle Standard:(2)

- **All** Utility Receptacles must be GFCI Protected
- **All** External Utility Receptacles must be Covered
- **All** Covers must Maintain Enclosure Rating

1.) OSHA requires monthly testing of all GFCI outlets

2.) NFPA 79 Electrical Machinery Safety Standard 2002 Edition Sections 16.1.1 (6), 16.1.2

RoHS 
US Patents 6,700,062
and 6,831,226 B2

 **GRACE**
ENGINEERED
PRODUCTS, INC
www.GracePort.com

5001 Tremont Avenue
Davenport, IA 52807
(800) 280-9517 Fax: (563) 386-9639

©2007 Grace Engineered Products, Inc. DataSheets:InsideOutlet: 05/2012
GracePort® and InsideOutlet® are registered Trademarks of Grace Engineered Products, Inc.