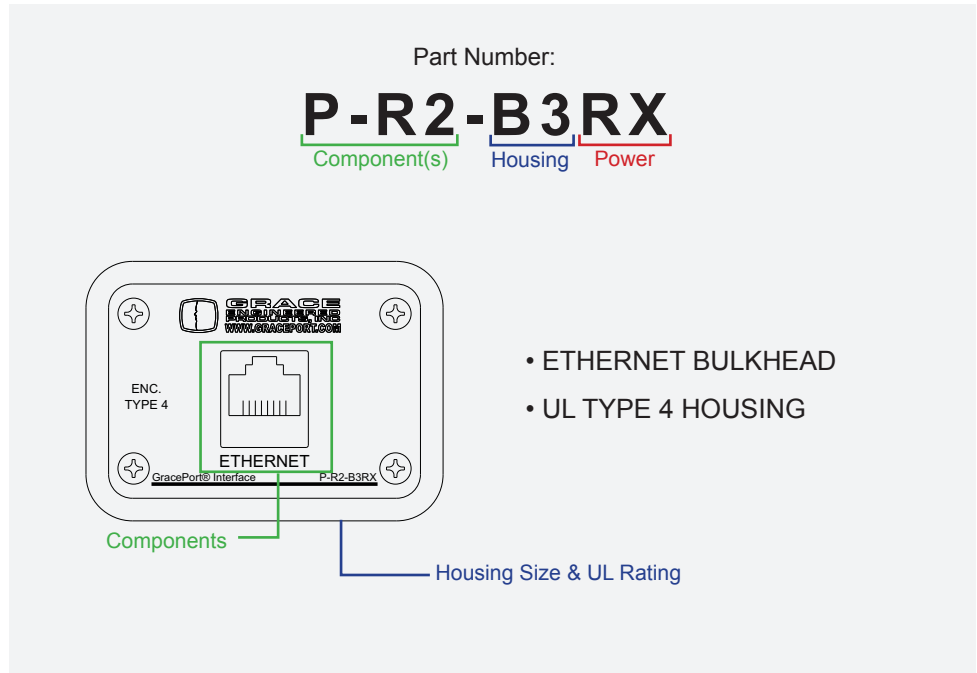


# GracePort® P-R2-B3RX



**GracePorts®** are fully customizable panel interface connectors that allow workers to access control panels safely and conveniently through closed doors thereby reducing the risk of arc flash. These ports can be conveniently installed on the cabinet door without voiding the UL rating of the cabinet. They can be used to program PLCs and Variable Frequency Drives (VFDs), machine interfaces, connecting laptop from outside to access and program control components.

### Combinations

The following components can be used in over 14,000 different UL recognized combinations: Panel interface connectors, communication ports, panel mount connectors, electrical panel connectors, data interface connectors, data interface port, through panel connectors, control panel interface, Ethernet ports, Ethernet unmanaged switch, and much more.

### Housing Sizes & UL Rating

Several housing types are available to meet specific needs. The size of the housing depends on several variables including what type of components and power options (domestic and international available) are installed on the GracePort. UL ratings offered include UL Type 1, 3, 3R, 4, 4X, 12 and 13. There are a

total of different housings sizes and they're available in bulk head type housings, stainless steel type housings (304 & 316), and lastly, hazardous location housings (Class 1, Div. 1, and Div. 2). All housings are provided with latch and are lockable with a padlock.

### Components & Power Options

We offer numerous connectors for the GracePort. Many power options for international and domestic use are available. Because circuit breakers offer the ability to limit what devices can be run through the GracePort, we offer different amperages.

\*Actual product certification may vary with component selection.