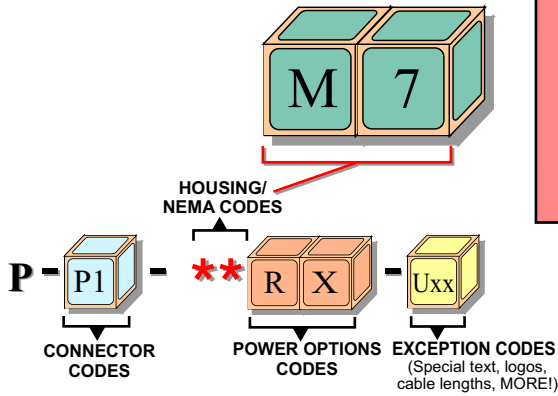


GracePort® Hazardous Location Data Sheet



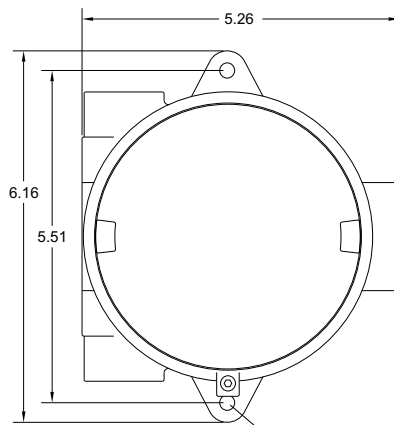
The **Hazardous Location GracePort®** is intended for environments where the user must do a "sniff test" and typically obtain a "Hot Work Permit" before opening the enclosure. Computer access ports and specific network solutions are available for Ethernet, DeviceNet, Data Highway Plus, Modbus Plus, Profibus, Fipway and others. The housing is especially well suited for use with the GracePort Low Profile Circuit Board for ease of field wiring.

Housings meet both domestic and international code requirements.

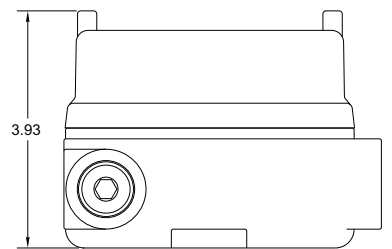


**P-B9-M7RX
Data Highway Plus**
OTHER INTERFACES
ARE AVAILABLE

Class I, Div. 1 & 2, Groups A,B,C,D
Class I, Zones 1 & 2, Groups IIB +H2, IIA
Class II, Div. 1 & 2, Groups E,F,G
Class III
NEMA 3,4,7 (B,C,D), 9 (E,F,G)
CENELEC - EEx D IIB IP66



.25" DIA.



DIMENSIONS ARE IN INCHES

⚠ INSTALLATION

GracePorts® are intended to be installed by a qualified technician and adhere to applicable regulatory codes. These devices are for mounting on the flat surface of enclosures having the same type environmental rating.

SPECIFICATIONS: ELECTRICAL

Low voltage (data), limited to 30 VDC

SPECIFICATIONS: MECHANICAL

Housing: Die cast aluminum base/cover
Gasket: NBR UL94
Insert Material: Acrylic UL94HB

APPROVALS



RoHS
Upon Request

CSA: LR110845 (not for interrupting circuit)
CE: EN61010/EN60950



GRACE
ENGINEERED
PRODUCTS, INC
www.GracePort.com

5001 Tremont Avenue
Davenport, IA 52807
(800) 280-9517 Fax: (563) 386-9639
©2007 Grace Engineered Products, Inc. DataSheets:M7:12/2007
GracePort® is a registered Trademark of Grace Engineered Products, Inc