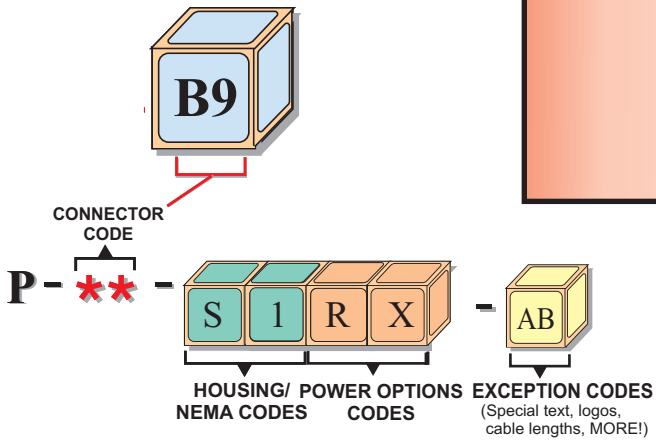


# Rockwell Automation 1784-U2DHP "Smart" Cable Adapter Solutions

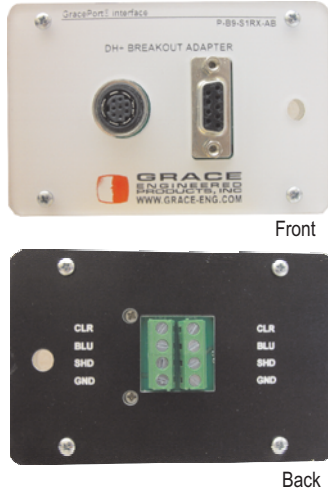


Here are two solutions that allow you to program legacy PLC's with a DB9 interface to the Data Highway+. These unique adapters compliment the Rockwell Automation's USB to Data Highway+ "Smart" Cable (1784-U2DHP). The "Smart" Cable coupled with the DH+ Breakout Adapter provides "KTX" functionality for customers needing a USB interface to DH+.

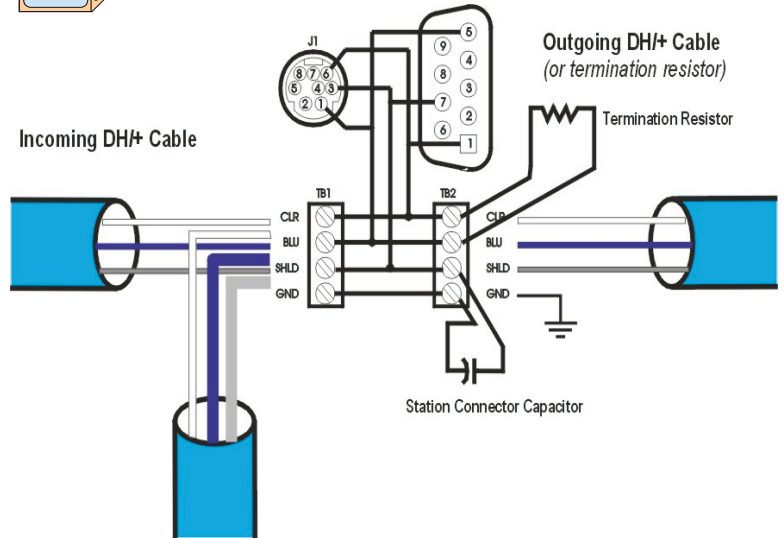
## About the P-B9-S1RX-AB

The DH+ Breakout Adapter combines a DB9, an 8MDIN, and a screw terminal block interface to DH+. This provides functionality for customers who need a USB interface to DH+.

### P-B9-S1RX-AB Photos:



## B9 Combination (DB9&8MDin) DH/+ Interface



Drop Line DH+ Cable  
(station connector application)

## C-ABDH-Adapter Photos:



## About the C-ABDH-Adapter

The C-ABDH-Adapter utilizes a 8MDIN Female to DB9 Male adapter for DH+ that converts the 8MDIN cable end of the standard 1784-U2DHP to a DB9M. Since older AB processors have only a DB9 Female plug accessing them was difficult. The C-ABDH-Adapter is a no-hassle solve for this programming challenge!

Pin Outs for C-ABDH-Adapter 8MDIN - DB9M is as follows: 6-1, 3-7, 1-5.

