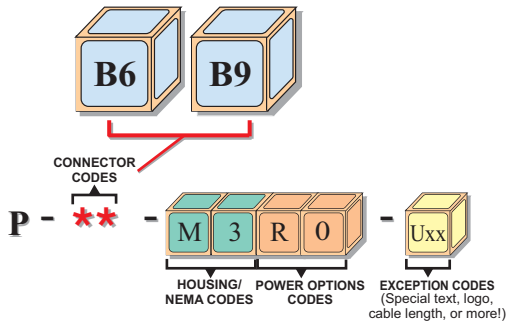


GracePort Allen-Bradley Data Highway+ and Remote I/O Connector Code Data Sheet



P-B9-H3R3

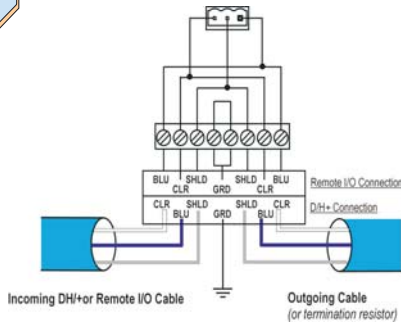
The Data Highway+ GracePort® can be used as a convenience interface or as Station Connector for terminating your Data Highway Plus in a Nema 1, 12/4 or 4X environment.

Instructions: Mount the GracePort® on the panel as per Installation Instructions. Terminate the "BLUE", "CLEAR" and "SHIELD" to the appropriate marked terminal blocks. If the GracePort® is the last station, install the 150 Ohm termination resistor (*exception code D7*) as shown on "B9" diagram. **Service note: Swap "BLUE" and "CLEAR" wires on terminal block if there is no communication from the GracePort to the PLC.**

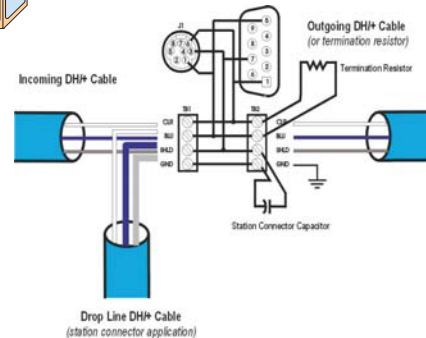
If your Data Highway is configured as dropline-trunkline then install the .05 uF capacitor as shown in "B9" diagram. For "B6" Remote I/O, terminate as per "B6" diagram.



Combination DH/+ I/O Interface



Combination (DB9&8MDin) DH/+ Interface



⚠ INSTALLATION

GracePorts® are intended to be installed by a qualified technician and adhere to applicable regulatory codes. These devices are for mounting on the flat surface of enclosures having the same type environmental ratings.

SPECIFICATIONS: ELECTRICAL

Low voltage (data), limited to 30 VDC
 High voltage supply (for computer use only)
 120 VAC, 15A (UL), 5A (CSA)
 230-240 VAC, 16A (CE only)

SPECIFICATIONS: MECHANICAL

Housing: Cast aluminum base
 Latch: Type 304 Stainless Steel (1CR18NI19)
 Cover: Polycarbonate, UV rated, V-O Flame rated
 Gasket: Thermoplastic elastomer
 Insert Material: Acrylic UL94HB

APPROVALS



UL RECOGNIZED: E207344 (Outdoor Use)
 CSA: LR110845 (not for interrupting circuit)
 CE: EN61010/EN60950 (Foreign Power Outlets)



GRACE
 ENGINEERED
 PRODUCTS, INC
www.GracePort.com

5001 Tremont Avenue
 Davenport, IA 52807
 (800) 280-9517 Fax: (563) 386-9639

©2013 Grace Engineered Products, Inc. DataSheets:DataHighway+/2/2013
 GracePort® is a registered Trademark of Grace Engineered Products, Inc